

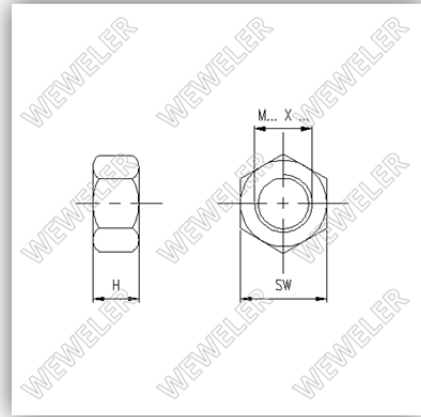
FAQ Deep nuts are recommended for fastening U-Bolt

Standard Hexagonal Nut

The height of standard nuts is 0.8 times the diameter

Example: C280081 M24x3 nut

H = 19mm

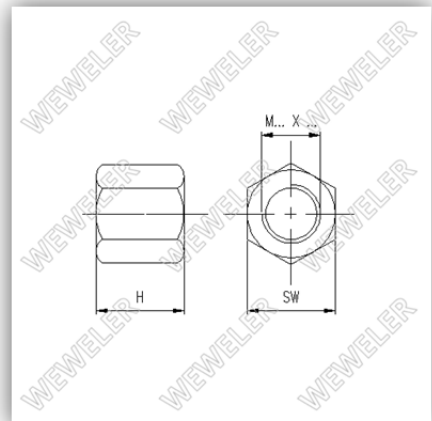


Deep Hexagonal Nut (or High nut)

The height of deep nuts is 1.25 times the diameter

Example: C290081 M24x3 nut

H = 30mm



Deep Hexagonal Nuts are recommended above Standard Nuts, to fasten U-bolts, because the Deep nut (= High nut) assure an improved thread engagement and torque retention.